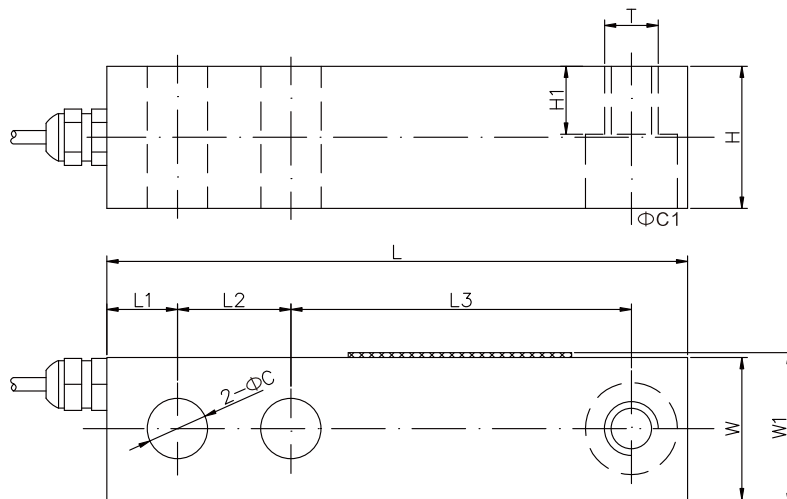
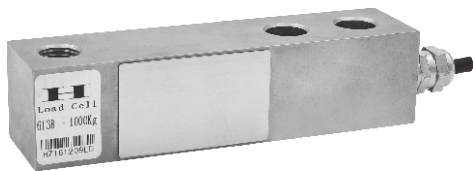


ALLOY STEEL / STAINLESS STEEL

合金钢/不锈钢



尺寸 DIMENSIONS

Rate Capacity

量程	C	L	L1	L2	L3	H	H1	W	W1	T
kg/mm										
100-2000	13.5	130	15.8	25.4	76.2	31.8	15.8	31.8	34	M12X1.75
3000-5000	19.8	171.5	19.1	38.1	95.3	38.1	18.8	38.1	40	M18X1.5
10000	26.2	222.3	25.4	50.8	120.7	50.8	25.4	50.8	52.4	M24X2
klb/inches										
100-4000	0.53	5.12	0.62	1.00	3.00	1.25	0.62	1.25	1.34	1/2-20UNF
5000;10000	0.78	6.75	0.75	1.50	3.75	1.50	0.74	1.50	1.57	3/4-16UNF
15000;20000	1.03	8.75	1.00	2.00	4.75	2.00	1.00	2.00	2.06	1-14UNF

技术参数 SPECIFICATIONS

Full Scale Output 灵敏度输出(lb/英制)	3.0±0.25mV/V	Element Materia 材质	Alloy steel/Stainless steel 合金钢/不锈钢
		Recommended Excitation 使用电压	10V(15V Maximmm)
Zero Balance 零点输出	±0.02mV/V	Insulation Resistance 绝缘阻抗	>2[50V DC]GΩ
Nonlinearity 非线性	<±0.017%	Nominal Temperature Range 工作温度	-10°Cto50°C/14°Fto122°F
Repeatability 重复性	<±0.017%	Safe Overload 安全过载	150% of full scale
Hysteresis Error 滞后	<±0.017%	Breaking Overload 极限过载	300% of full scale
Creep in 30 min 30分钟蠕变	<±0.023%	IP Rating 防护等级	IP67
Input Resistance 输入电阻	380Ω±25	Cable Color Code 颜色码	Exc(输入)+:Red(红);Exc(输入) -Black(黑);Sig(输出)+Green(绿); Sig(输出)-:Whit白 Shield Bare(屏蔽)
Output Resistance 输出电阻	350Ω±5		

613B

Special Features

特征

- ◆ 符合OIML C3和NTEP认证指标,分度数值5000, C3级别多用型传感器
- ◆ 尺寸小, 灵敏度高
- ◆ 防爆(Ex ib II Ct4)
- ◆ Ip7防护
- ◆ 可选项为: -耐温120°C[248° F],防雷-6线制-不锈钢
- ◆ Complies with OIML C3 up to 5000 division class III and NTEP1:5000 class III ,multiple cell
- ◆ Low profile and high sensitivity
- ◆ Explosion proof version (Ex ib II Ct4)
- ◆ IP67 protection
- ◆ Available Options:-Service temperature range up to 120°C[248° F], Lightning proof -6- wire circuit -Stainless Steel(IP68)